

# Di Lusso

the finest woodburning stoves in the world



hunterstoves  
GROUP

DI LUSSO BRINGS  
CONTEMPORARY  
STYLE AND  
INNOVATIVE FLAIR  
TO YOUR HOME

Our unique Dynamic Control Technology has been developed to create a range of fires that can burn effectively and efficiently at both low and high temperatures - something no other fire on the market can do - ensuring that whatever size your room, big or small, there is a Di Lusso stove to suit your needs.

This innovative thinking combined with the sleek, stylish look of the Di Lusso range makes this one of the most sought-after fires available. Sitting flush to the wall or freestanding and offering beautiful clear view glass, the Di Lusso fits effortlessly into your home, bringing any room alive with the beauty of natural flame.



# style meets technology



WARRANTY	3
DI LUSSO R4	4 - 5
DI LUSSO R5	6 - 7
DI LUSSO R6	8 - 9
DI LUSSO EURO R4	10 - 11
DI LUSSO EURO R5	12 - 13
FEATURES	14 - 18
DIMENSIONS	19 - 23

10 YEAR  
WARRANTY

ALL DI LUSSO AUTHORISED DEALERS PROVIDE  
YOU WITH AN EXTENDED 10 YEAR WARRANTY

For full warranty specifications and terms and a list of authorised stockists,  
please visit [www.hunterstoves.co.uk](http://www.hunterstoves.co.uk)

DI LUSSO

R4



THE DI LUSSO RANGE BRINGS FLEXIBILITY TO YOUR FINGERTIPS, WITH COMPLETE CONTROL OVER YOUR ROOM TEMPERATURE, SOMETHING MANY OTHER FIRES ARE UNABLE TO OFFER.

The Di Lusso R4 may be the smallest, most compact stove in the range, but it still packs a powerful punch. The R4 is ideal for smaller rooms, able to fit comfortably into a standard 16" fireplace.

- NO AIRBRICK REQUIRED
- DYNAMIC CONTROL PANEL
- CLEANBURN TECHNOLOGY
- HOT AIRWASH SYSTEM
- DEFRA APPROVED\*
- DIRECT AIR\*\*

\* DEFRA air kit fitted on request  
\*\* With optional kit

HEAT OUTPUT **2kW TO 6kW**

NOMINAL **4.9kW**



R4 with four sided Black Frame

R4 with three sided Pewter Frame

DI LUSSO

R5



THE DI LUSSO R5 IS THE IDEAL ADDITION TO ANY ROOM - LARGE OR SMALL. FITTING FLUSH TO THE WALL, THE DI LUSSO OFFERS A STUNNING AND STYLISH FOCAL POINT WHILST UTILISING SPACE EFFICIENTLY.

With innovative Flame Blade technology and Dynamic Control, the R5 is one of the easiest stoves to control on the market.

- NO AIRBRICK REQUIRED
- FLAMEBLADE TECHNOLOGY
- DYNAMIC CONTROL PANEL
- CLEANBURN TECHNOLOGY
- HOT AIRWASH SYSTEM
- DEFRA APPROVED\*
- DIRECT AIR\*\*

\* DEFRA air kit fitted on request  
\*\* With optional kit

HEAT OUTPUT **3kW TO 13kW**

NOMINAL **4.9kW**



R5 with three sided Black Frame

R5 with four sided Black Frame

DI LUSSO

R6



R6 with four sided Black Frame

THE DI LUSSO R6 REALLY IS THE KING OF STOVES, THANKS TO ITS EFFORTLESS CONTEMPORARY STYLING AND INNOVATIVE, NEXT-GENERATION TECHNOLOGY.

Its sleek lines and smooth finish will set off any room, creating a stunning focal point that will wow friends and family alike.

NO AIRBRICK REQUIRED

FLAMEBLADE TECHNOLOGY

DYNAMIC CONTROL PANEL

CLEANBURN TECHNOLOGY

HOT AIRWASH SYSTEM

DEFRA APPROVED\*

DIRECT AIR\*\*

\* DEFRA air kit fitted on request

\*\* With optional kit

HEAT OUTPUT **4kW TO 13kW**

NOMINAL **4.9kW**



R6 with three sided Pewter Frame

VIEW OUR R6 FILM ON YOUTUBE

DI LUSSO

# EURO R4



OFFERING A COMBINATION OF THE R4'S FLEXIBILITY AND ITS VERSATILE CONTROL IN A FREESTANDING STOVE. THE SOPHISTICATED EURO R4 REALLY IS THE BEST OF BOTH WORLDS.

With optional sides available, you can personalise the finish of the EURO R4 stove so it will effortlessly complement any room.

NO AIRBRICK REQUIRED

DYNAMIC AIR CONTROL CASSETTE

CLEANBURN TECHNOLOGY

HOT AIRWASH

DEFRA APPROVED\*

DIRECT AIR\*\*

REAR TO COMBUSTIBLE CLEARANCE  
DISTANCE 50mm

CAN BE FITTED ON A 12mm HEARTH

CUSTOMISABLE FINISH

\* DEFRA air kit fitted on request

\*\* with optional kit

HEAT OUTPUT **2kW TO 6kW**

NOMINAL **4.9kW**

DI LUSSO

# EURO R5



WITH A LARGE VIEW WINDOW AND STYLISH LOOKS THE EURO R5 ADDS A BIT OF THEATRE AND CREATES A CENTREPIECE TO ANY ROOM.

A combination of minimal clearance distance from any wall, impressive heat range and customisable finish, the Euro R5 offers both style and substance.

NO AIRBRICK REQUIRED

FLAME BLADE TECHNOLOGY

DYNAMIC AIR CONTROL CASSETTE

CLEANBURN TECHNOLOGY

HOT AIRWASH

DEFRA APPROVED\*

DIRECT AIR\*\*

REAR TO COMBUSTIBLE CLEARANCE DISTANCE 10mm

CAN BE FITTED ON A 12mm HEARTH

CUSTOMISABLE FINISH

\* DEFRA air kit fitted on request

\*\* with optional kit

HEAT OUTPUT **3kW TO 13kW**

NOMINAL **4.9kW**

# FEATURES

	R4	R5	R6	EURO R4	EURO R5
HEAT OUTPUT RANGE (kW)	2 - 6	3 - 13	4 - 13	2 - 6	3 - 13
OUTPUT NOMINAL (kW)	4.9	4.9	4.9	4.9	4.9
EFFICIENCY ON WOOD (%)	79	79	76	79	79
EMISSIONS (CO. %)	0.09	0.2	0.2	0.09	0.2
AIR BRICK REQUIRED	N	N	N	N	N
MINIMUM HEARTH THICKNESS (mm)	NA	NA	NA	FREESTANDING: 12 RECESSED: 125	FREESTANDING: 12 RECESSED: 125
DEFRA APPROVED*	Y	Y	Y	Y	Y
DIRECT AIR KIT AVAILABLE	Y	Y	Y	Y	Y
MULTI FUEL	O	O	O	O	O
WOOD BURNING	S	S	S	S	S
LOG LENGTH (mm)	250	350	330	250	350
WEIGHT (kg)	70	121	116	106	184

N No    Y Yes    O Option    S Standard

\* with DEFRA approved air cassette

CONTACT YOUR DEALER FOR INSTALLATION ADVICE.

# INSET MODEL OPTIONS

	R4	R5	R6
3 SIDED BLACK FRAME	✓	✓	✓
3 SIDED PEWTER FRAME	✓	✓	✓
4 SIDED BLACK FRAME	✓	✓	✓
4 SIDED PEWTER FRAME	✓	✓	✓

\* All inset models and frames are available in a painted or powder coated finish.

# FREESTANDING MODEL OPTIONS

	EURO R4	EURO R5
FLAT SIDED BLACK	✓	✓
FLAT SIDED PEWTER	✓	✓
FLAT SIDED BRUSHED STEEL	✓	✓
CURVED SIDES BLACK	✓	✓
CURVED SIDES PEWTER	✓	✓
CURVED SIDES BRUSHED STEEL	✓	✓

\* All freestanding stoves are available with a painted finish in black or pewter. Powder coated stoves are only available in black.

✓ Option available

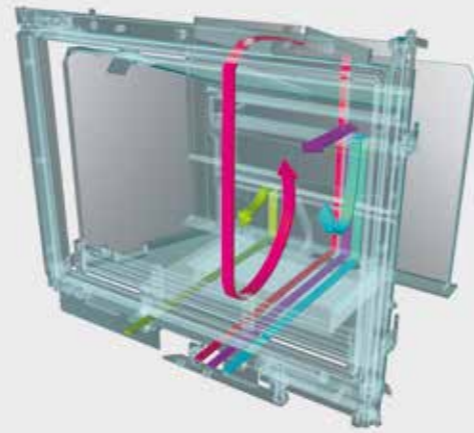


AT DI LUSSO, OUR ENGINEERS HAVE BEEN DEVELOPING NEW AND FORWARD THINKING SYSTEMS THAT IMPROVE COMBUSTION FURTHER.

Flame Blade introduces a fourth stream of air into the firebox on the R5 and R6 models. This ensures a more complete combustion of the fuel, with lower emissions even at lower burn temperatures.

PATENT PENDING

- CONVENTIONAL SECONDARY AIR SUPPLY (HOT AIRWASH)
- CONVENTIONAL TERTIARY AIR SUPPLY (CLEANBURN)
- NEW ADDITIONAL SECONDARY AIR SUPPLY (FLAME BLADE)
- IGNITION AIR - USED FOR START UP ONLY (CLEANBURN)



EUROPEAN COMMUNITY DESIGN REGISTRATION NUMBER 001268395-0001

HOW IT ALL WORKS

Conventional aeration of a wood burning stove firebox can lead to some areas not receiving a sufficient supply of combustion air. The resultant poor mixing of fuel and combustion air reduces combustion efficiency and leads to excessive smoke emissions in the flue gas.

The Dual Secondary Air System incorporates an additional stream of secondary air which passes down the rear wall of

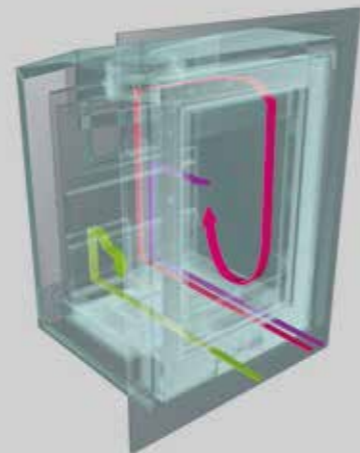
the firebox towards the fire bed. This stream of air is under the same valve control as the conventional secondary air. When the stove is running at its nominal or rated output the dual secondary air system ensures effective mixing of the fuel and combustion air. This reduces the amount of air required which in turn improves efficiency and reduces particulate emissions.

OUR UNIQUE CLEANBURN TECHNOLOGY UTILISES THREE STREAMS OF AIR - PRIMARY, SECONDARY AND TERTIARY - TO PROVIDE OPTIMUM AIR FLOW TO THE FIREBOX, AIDING COMBUSTION AND ENSURING MAXIMUM EFFICIENCY THROUGHOUT.

This draws air over the fuel, across the door and behind the fuel. This means a faster light up and a fuller burn of the fuel.

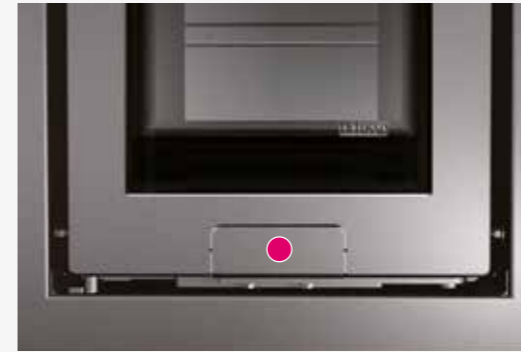
Airwash Technology allows air to flow over the glass and across the fuel to ensure that the glass is always kept clean - guaranteeing an excellent view of your fire as it burns.

- CONVENTIONAL SECONDARY AIR SUPPLY (HOT AIRWASH)
- CONVENTIONAL TERTIARY AIR SUPPLY (CLEANBURN)
- IGNITION AIR - USED FOR START UP ONLY (CLEANBURN)



DI LUSSO DYNAMIC CONTROL GIVES THE USER COMPLETE CONTROL OVER THE TEMPERATURE OUTPUT - UNLIKE MOST STOVES.

This intuitive innovation allows the user to alter the output using the simplest of dials cleverly hidden behind the control panel.



- ONE TOUCH ACCESS - magnetic integrated door handle



- DYNAMIC CONTROL SYSTEM
- PRIMARY IGNITION AIR
- R5 / R6 - Combustion air & Flame Blade
- R4 - Combustion air & Tertiary air

PATENT PENDING

The state of the art Di Lusso control system gives you total control. Simply rotate the right dial to increase or decrease the stoves burn.



LOW



HIGH

ALL DI LUSSO PRODUCTS HAVE BEEN CREATED TO BE ABLE TO MEET DEFRA'S CLEAN AIR APPROVALS AND TO COMPLY WITH SMOKE CONTROL AREA REGULATIONS.

A small adjustment to the combustion air valve on the dynamic control cassette ensures a constant flow of air through the combustion valve. This prevents smouldering when the fire is performing at lower temperatures\*.

\*Factory fitted if requested.

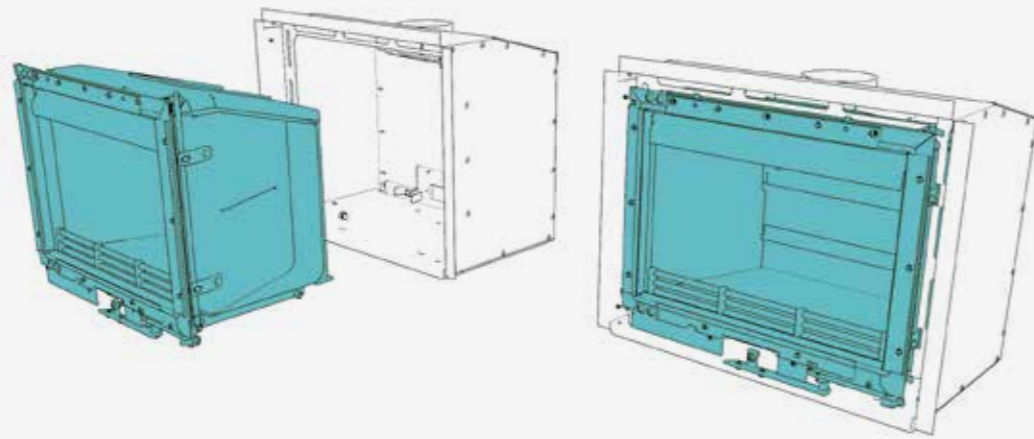


DIRECT AIR KIT



ALL DI LUSO STOVES CAN BE PURCHASED WITH A DIRECT AIR KIT IF DESIRED OR REQUIRED. ENSURING THAT AIR FOR AIDING COMBUSTION IS BROUGHT IN EXTERNALLY, A DIRECT AIR KIT ALLOWS THE DI LUSO TO PERFORM AT ITS BEST, INDEPENDENTLY FROM THE INTERNAL AIR SUPPLY.

EASY INSTALLATION R5 & R6



For easier installation of the R5 and R6 we have developed a convection chamber that can be fitted as a separate unit from the firebox.

Additionally, the flue collar can be fitted at either a 30° angle or vertical, depending on the specific needs of the installation.

TESTING

TESTED TO NORWEGIAN STANDARDS

The Di Lusso undergoes stringent testing to ensure we are providing a product which pushes boundaries. One test - DS EN 13229 - is the CE requirement test for output and efficiency to make sure the Di Lusso range is performing at optimum levels.

For particulate emissions we test to the much tougher Norwegian standard - the NS 3059 - a harder standard to meet than the British smoke control standard, because the Di Lusso's have to

be able to meet particulate emission standards even when burning at a greatly reduced output.\* It is the Di Lusso's ability to meet this standard, through its forward thinking technology and its innovative controllability, that sets it apart from all other stoves on the market.

\*requires a DEFRA KIT for use in smoke control areas.

DI LUSO

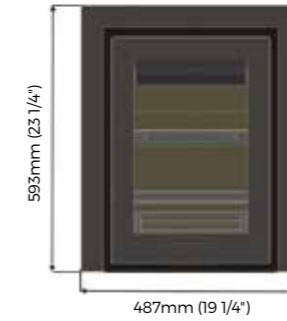
R4

DIMENSIONS

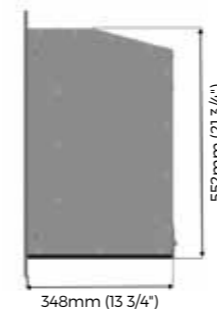
4 SIDED FRAME FRONT VIEW



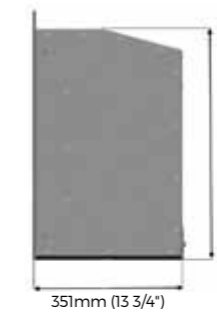
3 SIDED FRAME FRONT VIEW



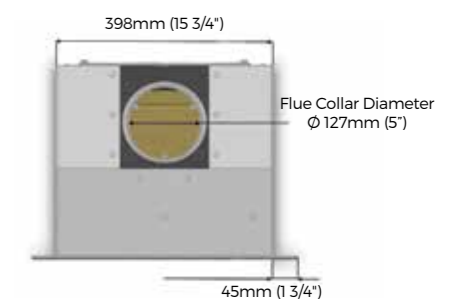
4 SIDED FRAME SIDE VIEW



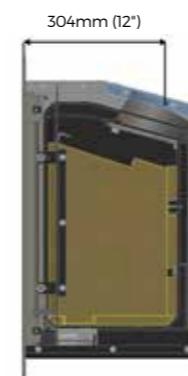
3 SIDED FRAME SIDE VIEW



TOP VIEW



SIDE VIEW INTERNAL ANGLED OUTLET

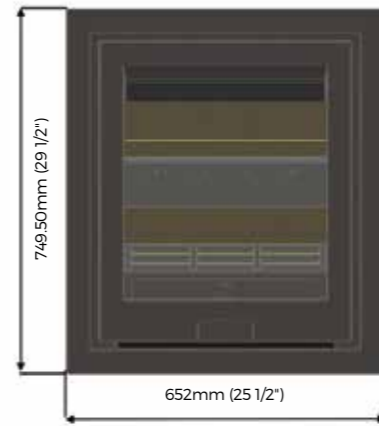


SIDE VIEW INTERNAL STRAIGHT OUTLET

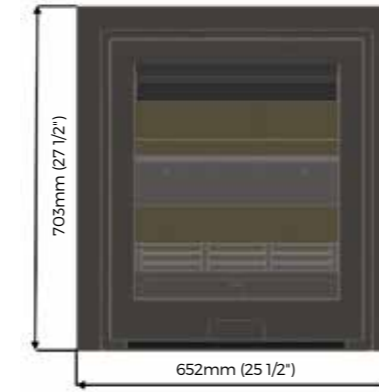


For full information on installation criteria, please refer to the instruction manual. These can be found on [www.hunterstoves.co.uk](http://www.hunterstoves.co.uk) or by contacting your dealer.

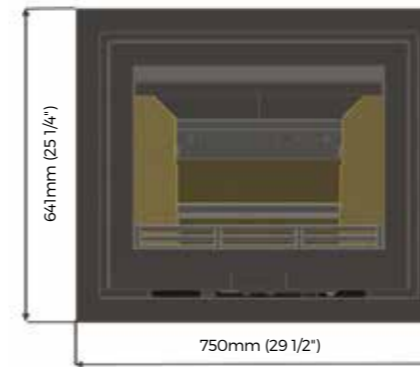
4 SIDED FRAME  
FRONT VIEW



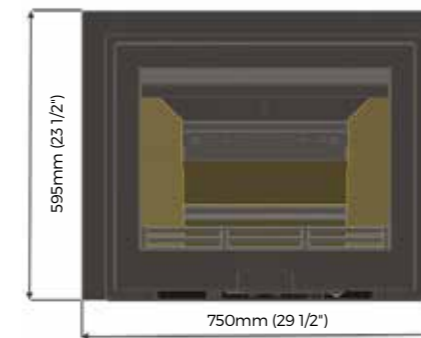
3 SIDED FRAME  
FRONT VIEW



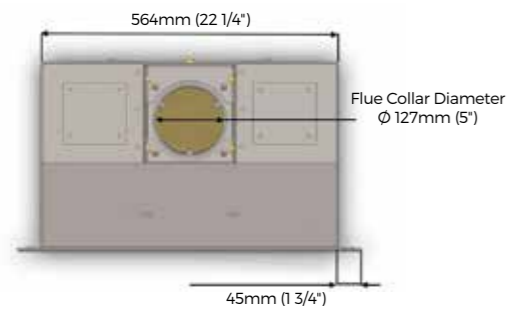
4 SIDED FRAME  
FRONT VIEW



3 SIDED FRAME  
FRONT VIEW



TOP VIEW



4 SIDED FRAME  
SIDE VIEW



3 SIDED FRAME  
SIDE VIEW



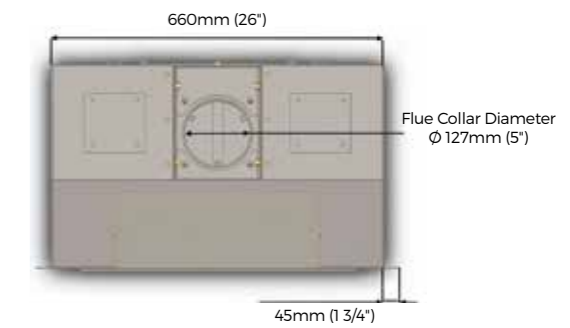
4 SIDED FRAME  
SIDE VIEW



3 SIDED FRAME  
SIDE VIEW



TOP VIEW



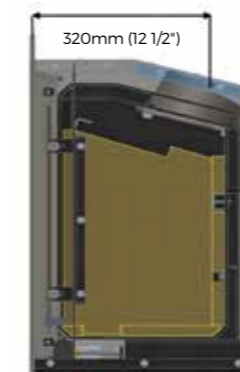
SIDE VIEW INTERNAL  
ANGLED OUTLET



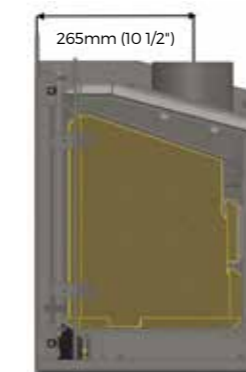
SIDE VIEW INTERNAL  
STRAIGHT OUTLET



SIDE VIEW INTERNAL  
ANGLED OUTLET



SIDE VIEW INTERNAL  
STRAIGHT OUTLET



For full information on installation criteria, please refer to the instruction manual. These can be found on [www.hunterstoves.co.uk](http://www.hunterstoves.co.uk) or by contacting your dealer.

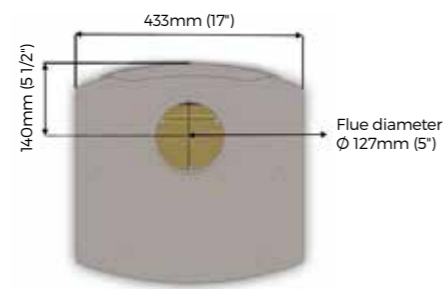
FRONT VIEW



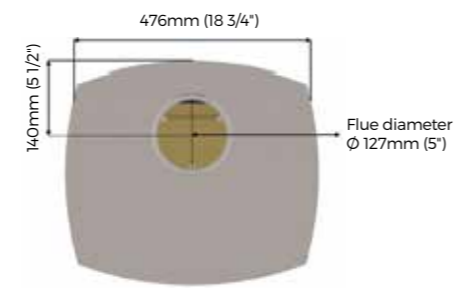
SIDE VIEW



TOP VIEW STRAIGHT SIDES



TOP VIEW CURVED SIDES



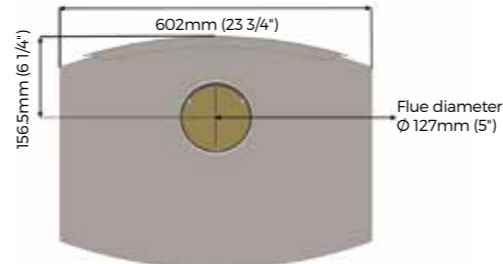
FRONT VIEW



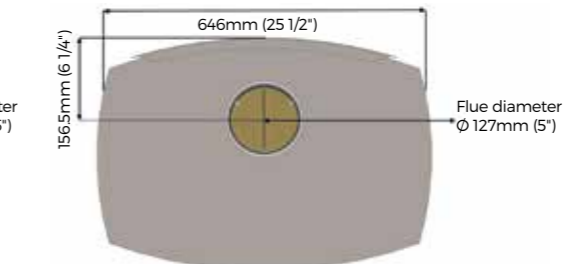
SIDE VIEW



TOP VIEW STRAIGHT SIDES



TOP VIEW CURVED SIDES



For full information on installation criteria, please refer to the instruction manual. These can be found on [www.hunterstoves.co.uk](http://www.hunterstoves.co.uk) or by contacting your dealer.

MADE IN CORNWALL

# Di Lusso

8 EMPEROR WAY EXETER DEVON EX1 3QS

01392 444 770

INFO@HUNTERSTOVES.CO.UK

WWW.HUNTERSTOVES.CO.UK

